

BenQ

PE8720 Digital Projector

Ceiling Mounting Guide

Welcome

Copyright

Copyright 2005 by BenQ Corporation. All rights reserved. No part of this publication may be reproduced, transmitted, transcribed, stored in a retrieval system or translated into any language or computer language, in any form or by any means, electronic, mechanical, magnetic, optical, chemical, manual or otherwise, without the prior written permission of this company.






Disclaimer

BenQ Corporation makes no representations or warranties, either expressed or implied, with respect to the contents hereof and specifically disclaims any warranties, merchantability or fitness for any particular purpose. Further, BenQ Corporation reserves the right to revise this publication and to make changes from time to time in the contents hereof without obligation of this company to notify any person of such revision or changes.

Safety Instructions

1. Follow the instructions in this guide when installing the projector with this bracket. Improper or inadequate installation could cause the projector to fall and cause injuries.
2. Make sure the installation is secure enough to bear the weight of all and withstand vibrations.
3. Use only the parts provided with the bracket, and any parts (commercially available) that are specified in this guide.
4. Do not modify the bracket or the parts provided with the bracket.
5. Do not use damaged parts. If any parts become damaged, contact your dealer.
6. All bolts and screws must be tightened securely.
7. Make sure not to block any ventilation openings when installing the projector.
8. Do not install the projector in a location that is subject to high levels of dust or humidity.
9. Do not install the projector in a location that is exposed to direct sunlight or in a location that is subject to extreme fluctuations in temperature (such as near an air conditioner).
10. Clean only with a dry cloth.
11. Special techniques and experience are required when installing the projector with this bracket. It is recommended that you contact your dealer to install the projector for you.
12. Once the projector is installed, safety checks should be conducted on a regular basis.

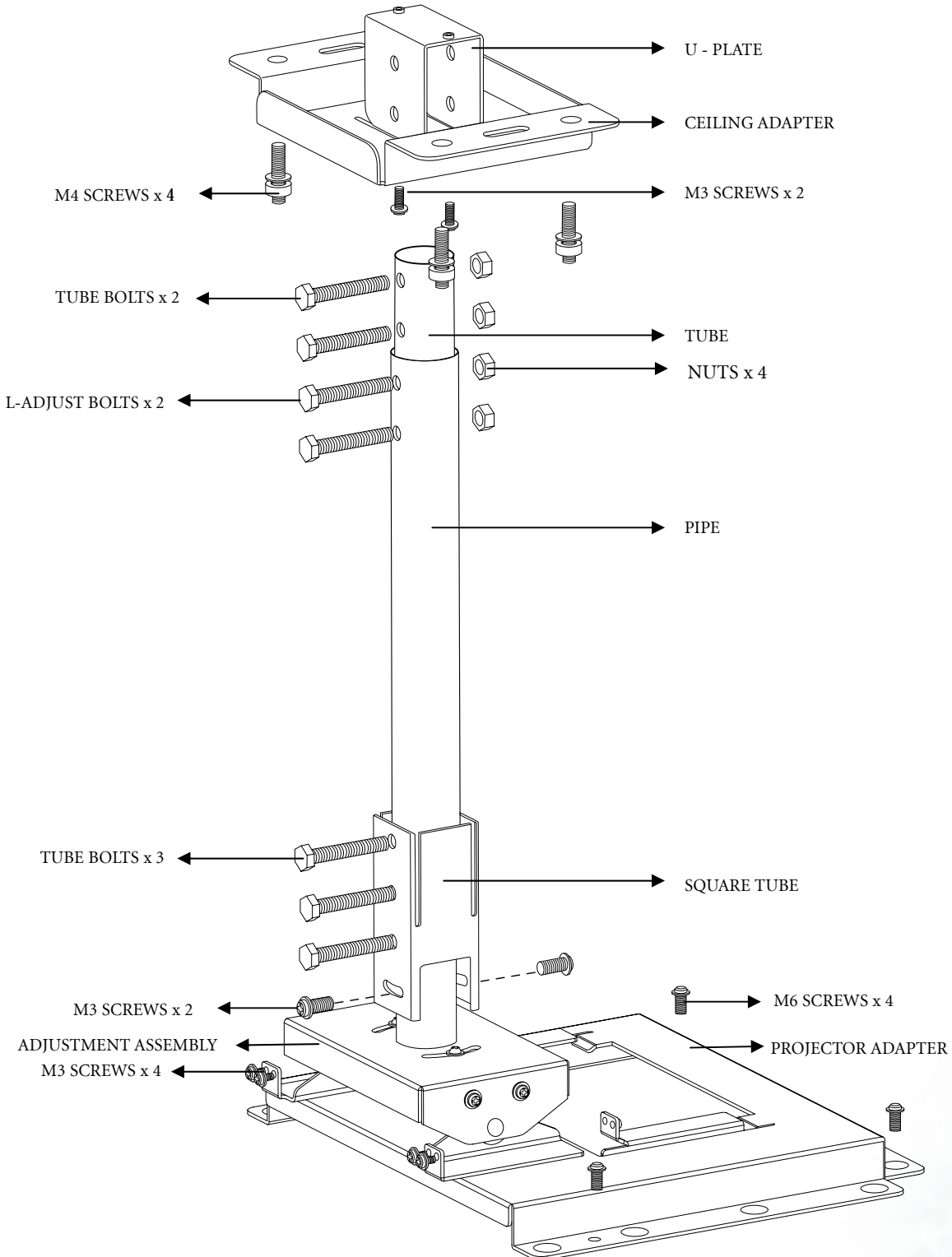
Table of Contents

 Packing Parts List.....	3
 Projector Installation and Throw Distance Chart.....	4
 Installing a Projector with the Ceiling Bracket.....	5
 Adjusting the Ceiling Bracket.....	8
 Specifications and Diagrams.....	10

1 Packing Parts List

✓ U-PLATE	✓ NUTS x 4	✓ PROJECTOR ADAPTER
✓ CEILING ADAPTER	✓ PIPE	✓ M3 SCREWS x 8
✓ M4 SCREWS x 4	✓ SQUARE TUBE	✓ M6 SCREWS x 4
✓ TUBE	✓ ADJUSTMENT ASSEMBLY	✓ BOLTS x 7 (TUBE BOLTS x 2, L - ADJUST BOLT x 2, TUBE BOLTS x 2)

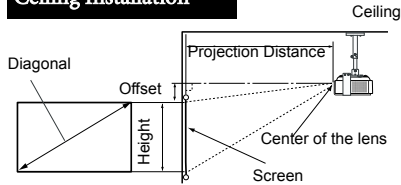
Names of Parts



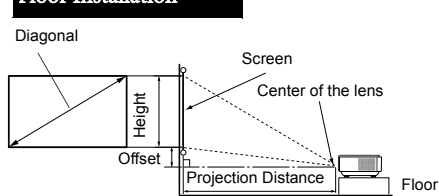
2 Projector Installation and Throw Distance Chart

Installation for a 16:9 screen

Ceiling Installation



Floor Installation



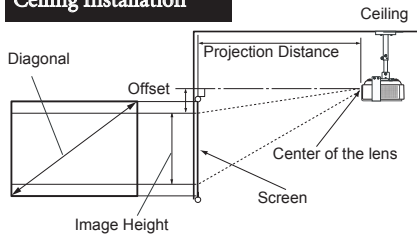
16:9 (widescreen) ratio screen dimension table

Screen Dimensions (inch / cm)			Projection Distance (inch / cm)		Offset (inch / cm)	
Diagonal	Width	Height	Min distance (with max zoom)	Max distance (with min zoom)	Upper	Lower
50 / 127	44 / 111	25 / 62	78 / 199	106 / 270	2.5 / 6.2	-27.0 / -68.5
60 / 152	52 / 133	29 / 75	94 / 239	128 / 324	2.9 / 7.5	-32.4 / -82.2
70 / 178	61 / 155	34 / 87	110 / 279	149 / 379	3.4 / 8.7	-37.8 / -95.9
80 / 203	70 / 177	39 / 100	126 / 319	171 / 433	3.9 / 10.0	-43.1 / -109.6
90 / 229	78 / 199	44 / 112	141 / 359	192 / 487	4.4 / 11.2	-48.5 / -123.3
100 / 254	87 / 221	49 / 125	156 / 400	213 / 541	4.9 / 12.5	-53.9 / -137.0
110 / 279	96 / 244	54 / 137	172 / 438	234 / 595	5.4 / 13.7	-59.3 / -150.7
120 / 305	105 / 266	59 / 149	188 / 478	256 / 649	5.9 / 14.9	-64.7 / -164.4
130 / 325	113 / 288	64 / 162	204 / 518	277 / 703	6.4 / 16.2	-70.1 / -178.1
140 / 356	122 / 310	69 / 174	220 / 558	298 / 757	6.9 / 17.4	-75.5 / -191.8
150 / 381	131 / 332	74 / 187	235 / 598	319 / 811	7.4 / 18.7	-80.9 / -205.5
160 / 406	139 / 354	78 / 199	251 / 638	341 / 865	7.8 / 19.9	-86.3 / -219.2
170 / 432	148 / 376	83 / 212	267 / 677	362 / 919	8.3 / 21.2	-91.7 / -232.9
180 / 457	157 / 398	88 / 224	282 / 717	383 / 973	8.8 / 22.4	-97.1 / -246.6
190 / 483	166 / 421	93 / 237	298 / 757	405 / 1028	9.3 / 23.7	-102.5 / -260.3
200 / 508	174 / 443	98 / 249	314 / 797	426 / 1082	9.8 / 24.9	-107.9 / -274.0
250 / 635	218 / 553	123 / 311	392 / 996	532 / 1352	12.3 / 31.1	-134.8 / -342.4
300 / 762	261 / 664	147 / 374	471 / 1195	639 / 1622	14.7 / 37.4	-161.8 / -410.9

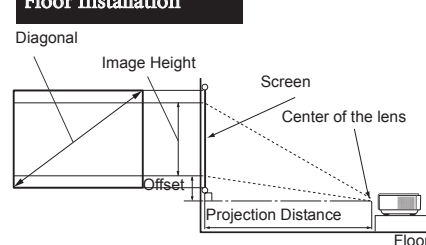
Installation for a 4:3 screen

Installation for a 4:3 ratio screen

Ceiling Installation



Floor Installation



4:3 (standard) ratio screen dimension table:

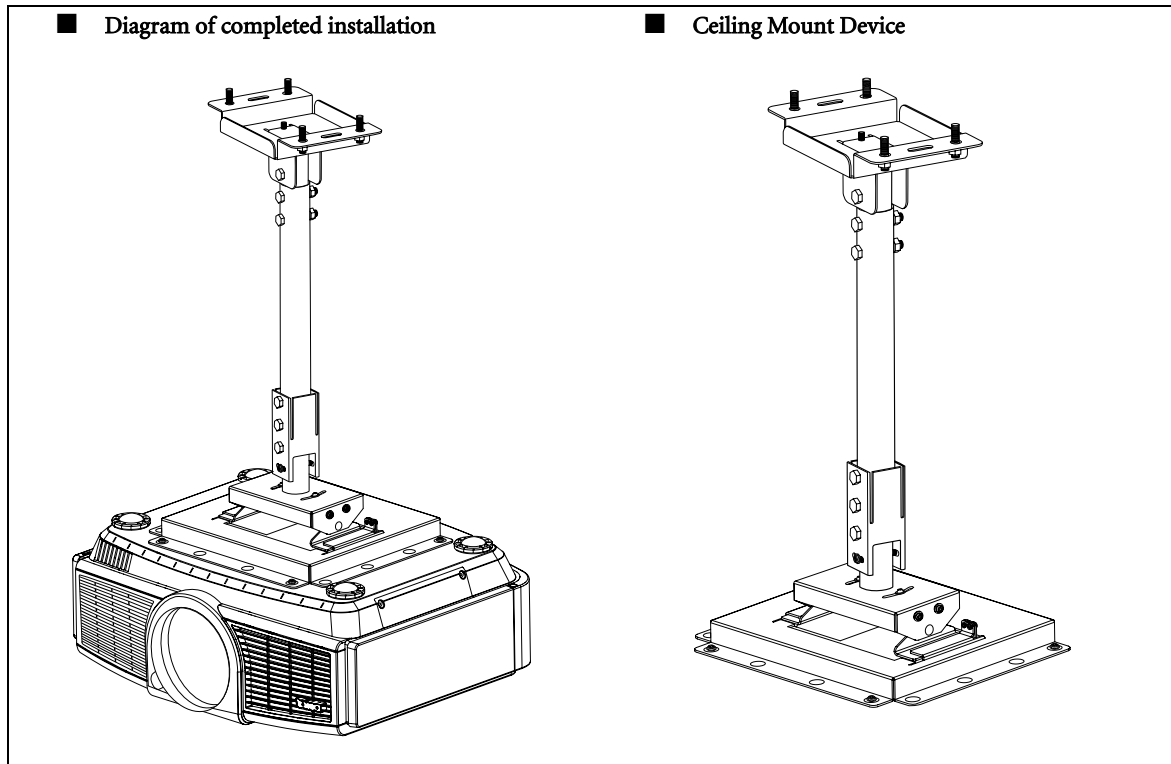
Screen Dimensions (Inch / cm)			Projection Distance (inch / cm)		Offset (Inch / cm)	
Diagonal	Width	Height	Min distance (with max zoom)	Max distance (with min zoom)	Upper	Lower
50 / 127	40 / 102	30 / 76	72 / 184	98 / 249	3.0 / 7.6	-33.0 / -83.8
60 / 152	48 / 122	36 / 91	87 / 221	117 / 298	3.6 / 9.1	-39.6 / -100.6
70 / 178	56 / 142	42 / 107	102 / 258	137 / 348	4.2 / 10.7	-46.2 / -117.3
80 / 203	64 / 163	48 / 122	116 / 294	157 / 398	4.8 / 12.2	-52.8 / -134.1
90 / 229	72 / 183	54 / 137	130 / 331	176 / 448	5.4 / 13.7	-59.4 / -150.9
100 / 254	80 / 203	60 / 152	145 / 368	196 / 497	6.0 / 15.2	-66.0 / -167.6
110 / 279	88 / 224	66 / 168	159 / 405	215 / 547	6.6 / 16.8	-72.6 / -184.4
120 / 305	96 / 244	72 / 183	174 / 442	235 / 597	7.2 / 18.3	-79.2 / -201.2
130 / 325	104 / 264	78 / 198	188 / 478	254 / 646	7.8 / 19.8	-85.8 / -217.9
140 / 356	112 / 284	84 / 213	203 / 515	274 / 696	8.4 / 21.3	-92.4 / -234.7
150 / 381	120 / 305	90 / 229	217 / 552	294 / 746	9.0 / 22.9	-99.0 / -251.5
160 / 406	128 / 325	96 / 244	232 / 589	313 / 796	9.6 / 24.4	-105.6 / -268.2
170 / 432	136 / 345	102 / 259	247 / 626	333 / 845	10.2 / 25.9	-112.2 / -285.0
180 / 457	144 / 366	108 / 274	261 / 662	352 / 895	10.8 / 27.4	-118.8 / -301.8
190 / 483	152 / 386	114 / 290	275 / 699	372 / 945	11.4 / 29.0	-125.4 / -318.5
200 / 508	160 / 406	120 / 305	290 / 736	392 / 995	12.0 / 30.5	-132.0 / -335.3
250 / 635	200 / 508	150 / 381	362 / 920	489 / 1243	15.0 / 38.1	-165.0 / -419.1
300 / 762	239 / 610	180 / 457	435 / 1104	587 / 1492	18.0 / 45.7	-198.0 / -502.9

There is 3% ~ 5% tolerance among these numbers due to optical component limits.

* 1 m = 3.28 feet, 1 feet = 0.305 m

3 Installing a Projector with the Ceiling Bracket

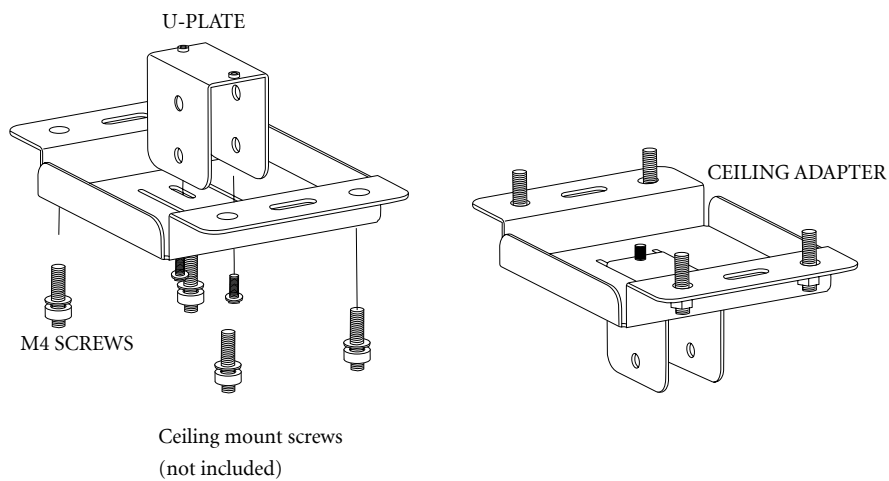
Overview



Installation Procedure

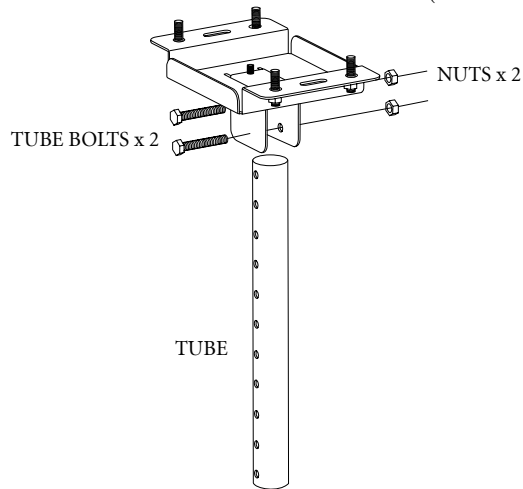
STEP A

Insert the U-PLATE into the CEILING ADAPTER, and tighten two M4 SCREWS (from the bottom) into the screw holes. Then attach the top part to the ceiling.



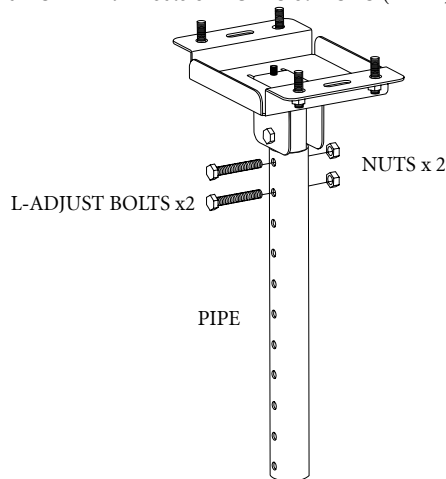
STEP B

Install the TUBE and the U-PLATE with 2 sets of BOLTS & NUTS (TUBE BOLT).



STEP C

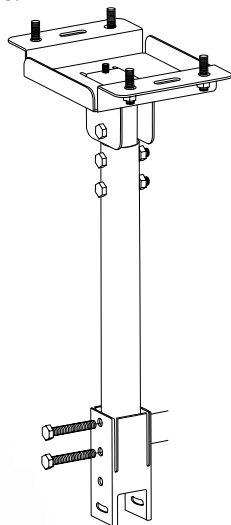
Install the PIPE and the TUBE with 2 sets of BOLTS & NUTS (L-ADJUST BOLT).



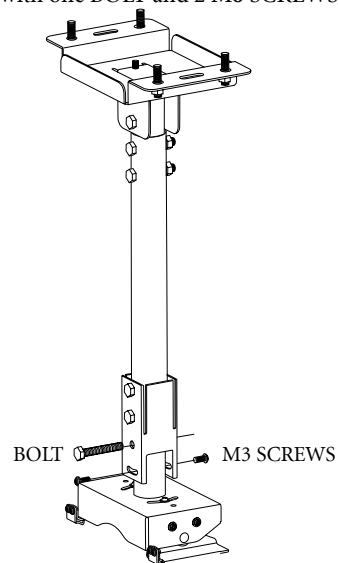
STEP D

Install the base-assembly.

STEP D1 Combine the SQUARE TUBE and the PIPE with 2 BOLTS.

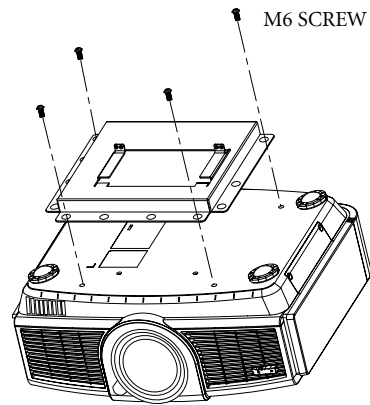


STEP D2 Install the ADJUSTMENT ASSEMBLY to the SQUARE TUBE with one BOLT and 2 M3 SCREWS.



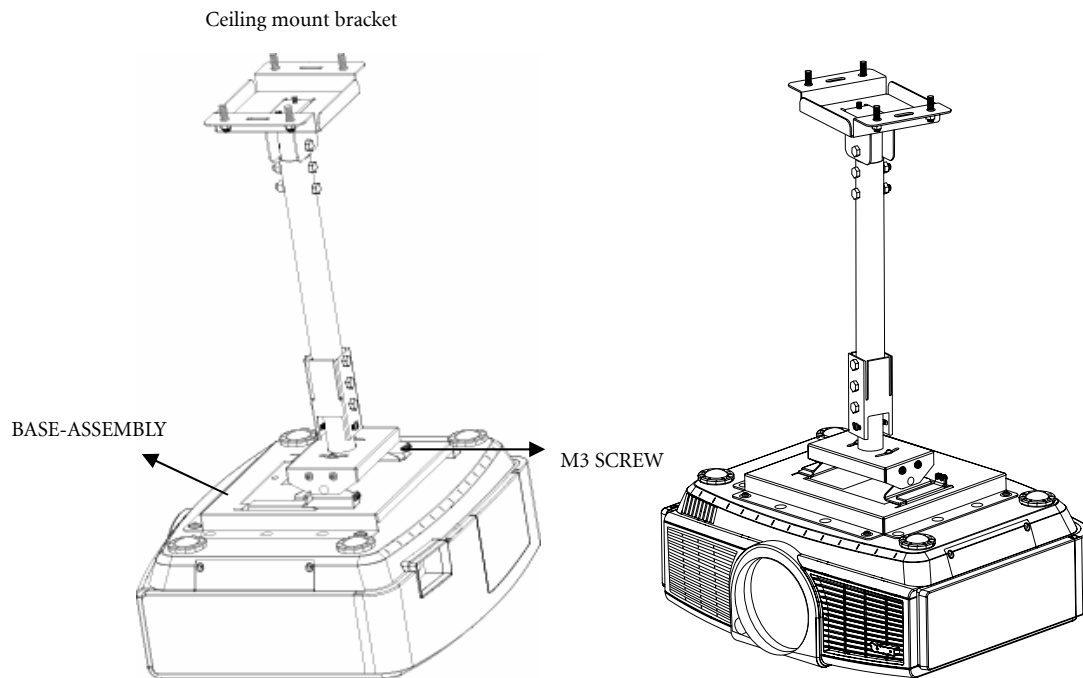
STEP E

Assemble the PROJECTOR ADAPTER and PROJECTOR with 4 M6 SCREWS.



STEP F

Slide the projector with adapter into the ceiling assembly and fix the projector with 4 M3 SCREWS.

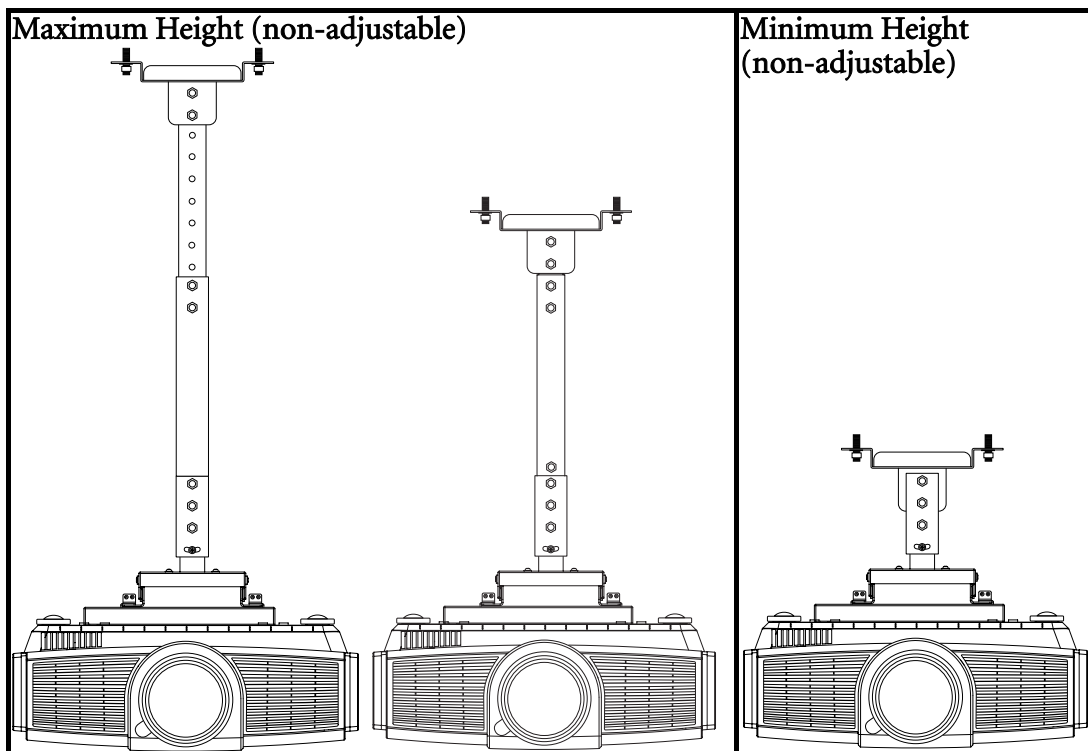
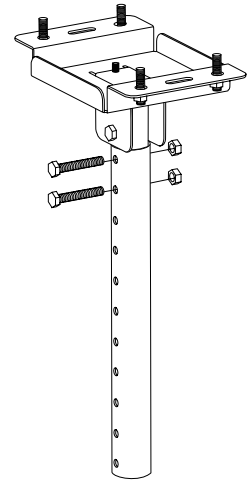


Installation finished.

4 Adjusting the Ceiling Bracket

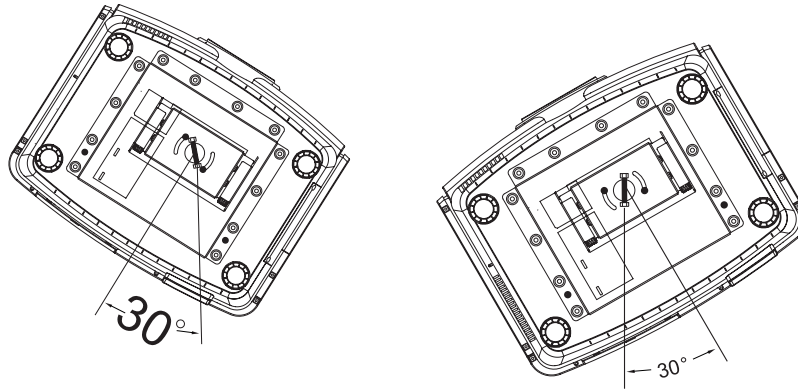
Height Adjustment

1. Make sure to remove the projector first.
2. Loosen the nuts securing to the two L-ADJUST BOLTS.
3. Remove the L-ADJUST BOLTS from the PIPE.
4. Adjust to the correct position for the height of the screen. The height can be adjusted to 309 mm or any value in a range between 639 mm and 849 mm in increments of 30 mm.
5. Insert the L-ADJUST BOLT back into the PIPE, and then re-attach the nuts previously removed.



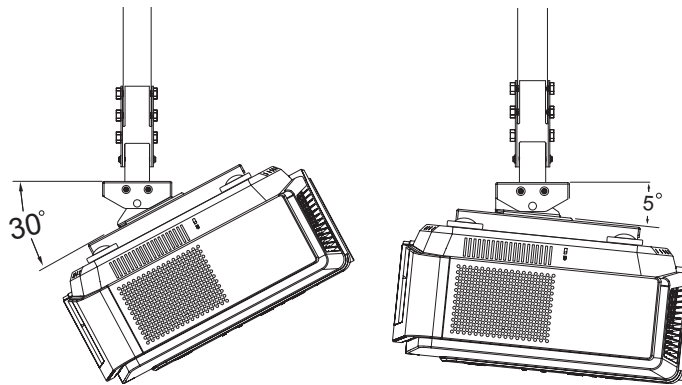
Horizontal Angle Adjustment

1. Hold the projector's right and left sides and push it up slightly.
2. Adjust the horizontal angle so that it is correct for the orientation of the screen.
3. The swivel angle can be set within a range of negative to positive 30 degrees.



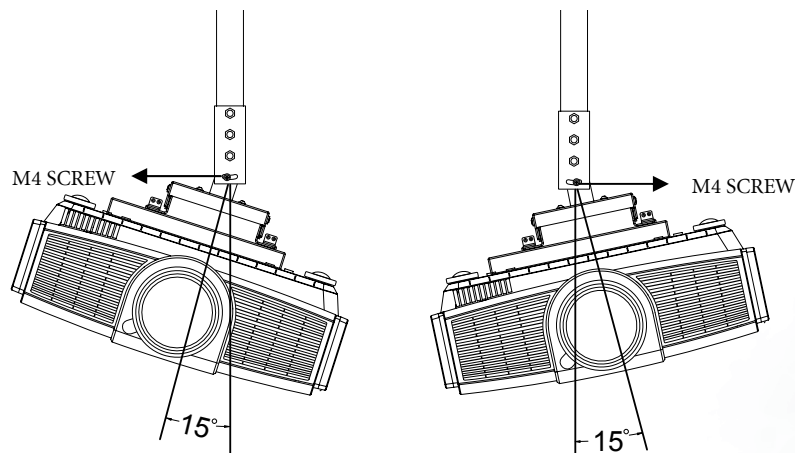
Vertical Angle Adjustment

1. Hold the projector's right and left sides.
2. Adjust the vertical angle so that it is correct for the orientation of the screen.
3. The tilt angle can be set in a range between -5 and +30 degrees.



Swing Adjustment

1. Slightly loosen the M4 SCREW connecting the SQUARE TUBE and ADJUSTMENT ASSEMBLY as shown in the picture.
2. Adjust the angle so that it is correct for the orientation of the screen.
3. Re-tighten the M4 SCREW.
4. The swing angle can be set within a range of negative to positive 30 degrees.



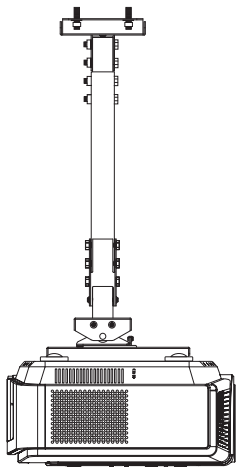
5 Specifications and Diagrams

Specifications

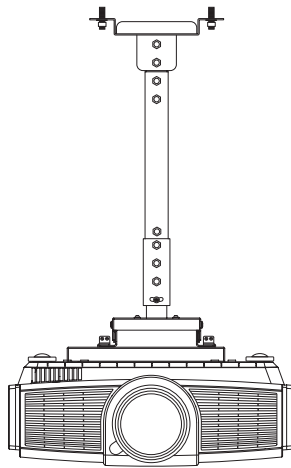
Adjustment Range Height Horizontal angle Vertical angle Swing angle	309 mm, 639 mm, 669 mm, 699 mm, 729 mm, 759 mm, 789 mm, 819 mm and 849 mm. -30 to +30 degrees -5 to +30 degrees -15 to +15 degrees
Weight	4.2 kg
Loading	4.5 kg

Diagrams

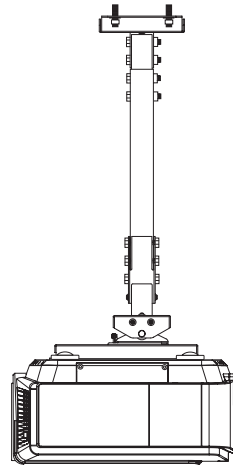
■ Left View



■ Front view



■ Right view



■ Rear view

